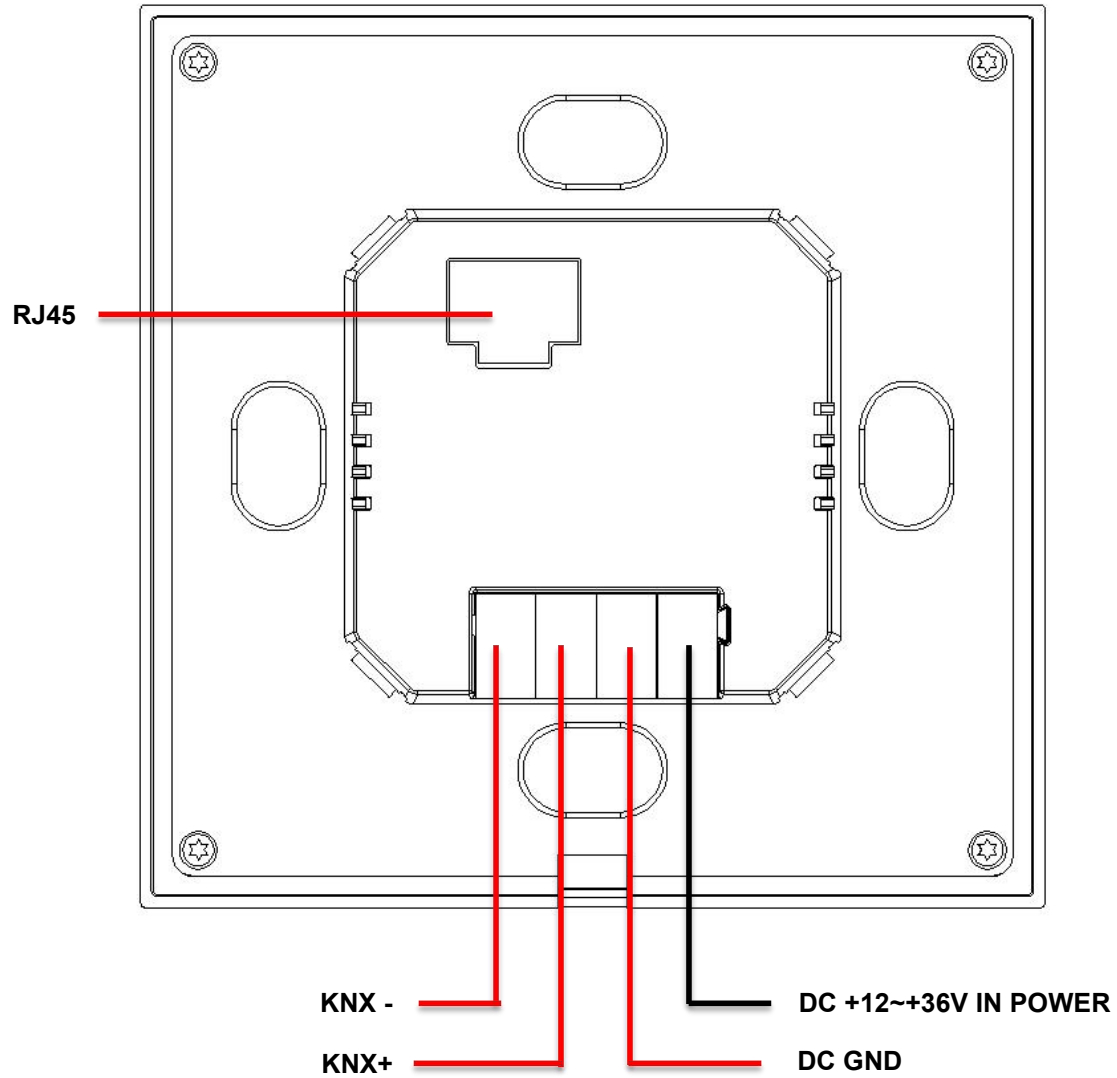
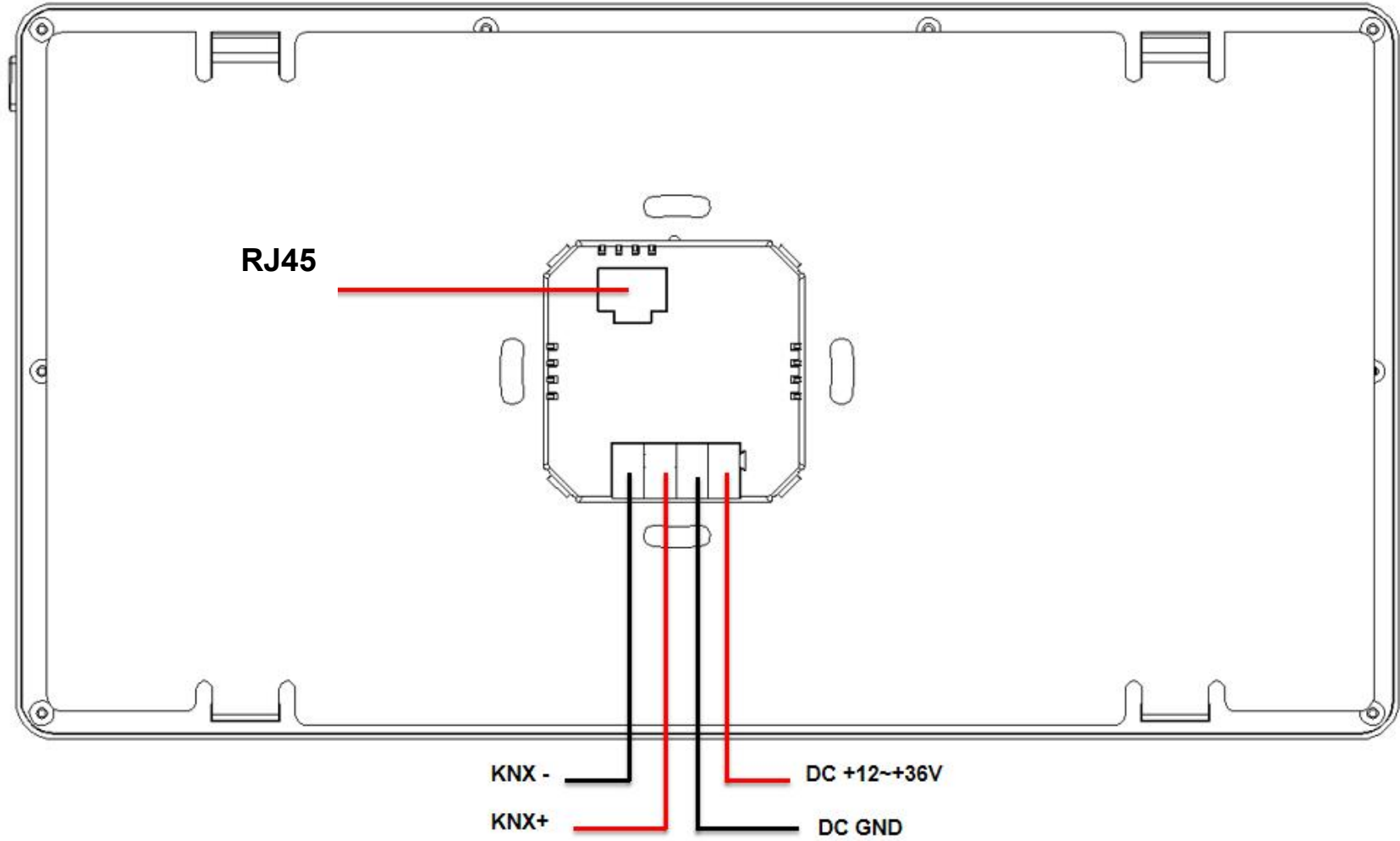


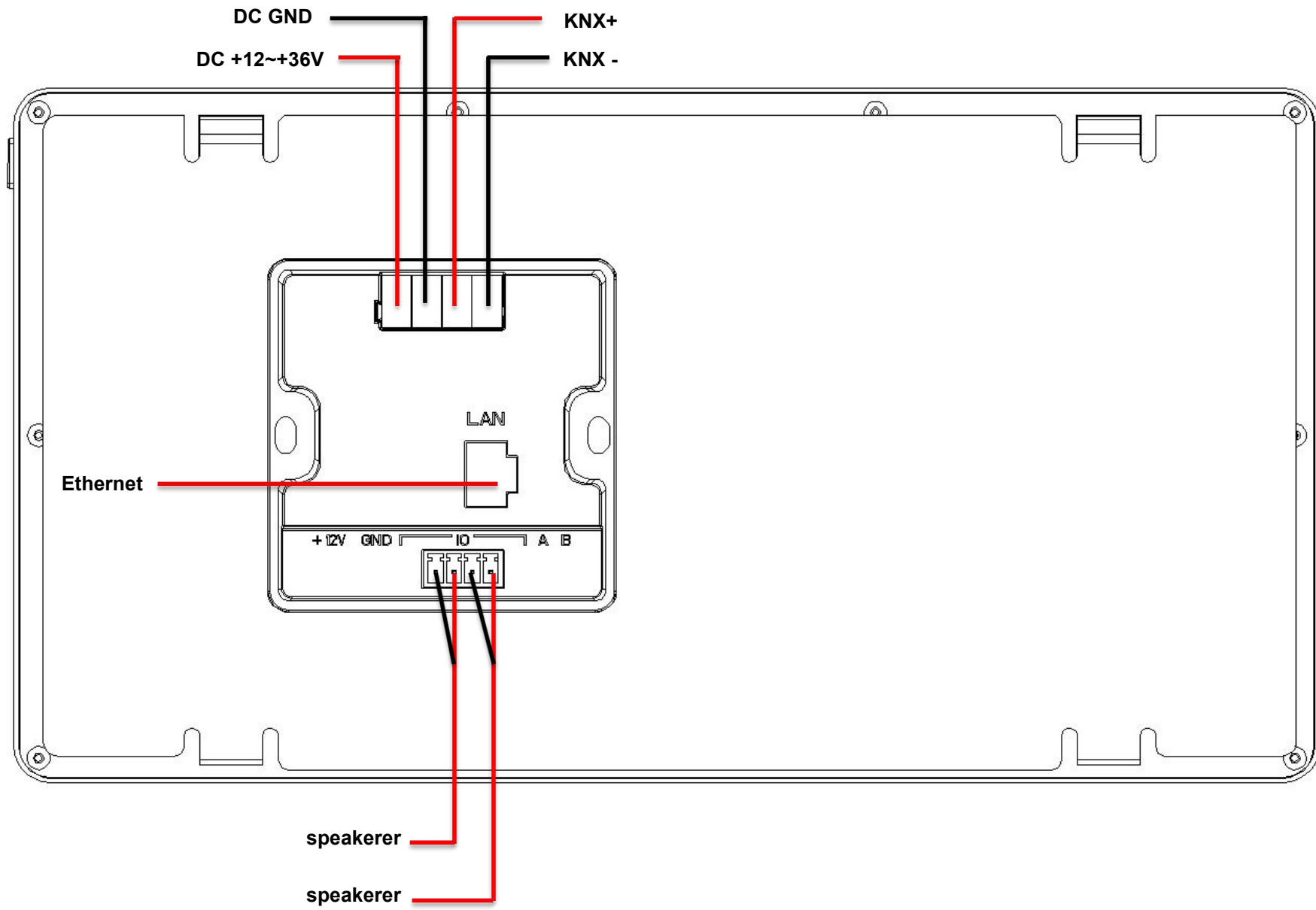
4INCH KNX Touch panel: wiring diagram EU standard box



7inch 8inch 10inch 12inch KNX touch panel: EU back box

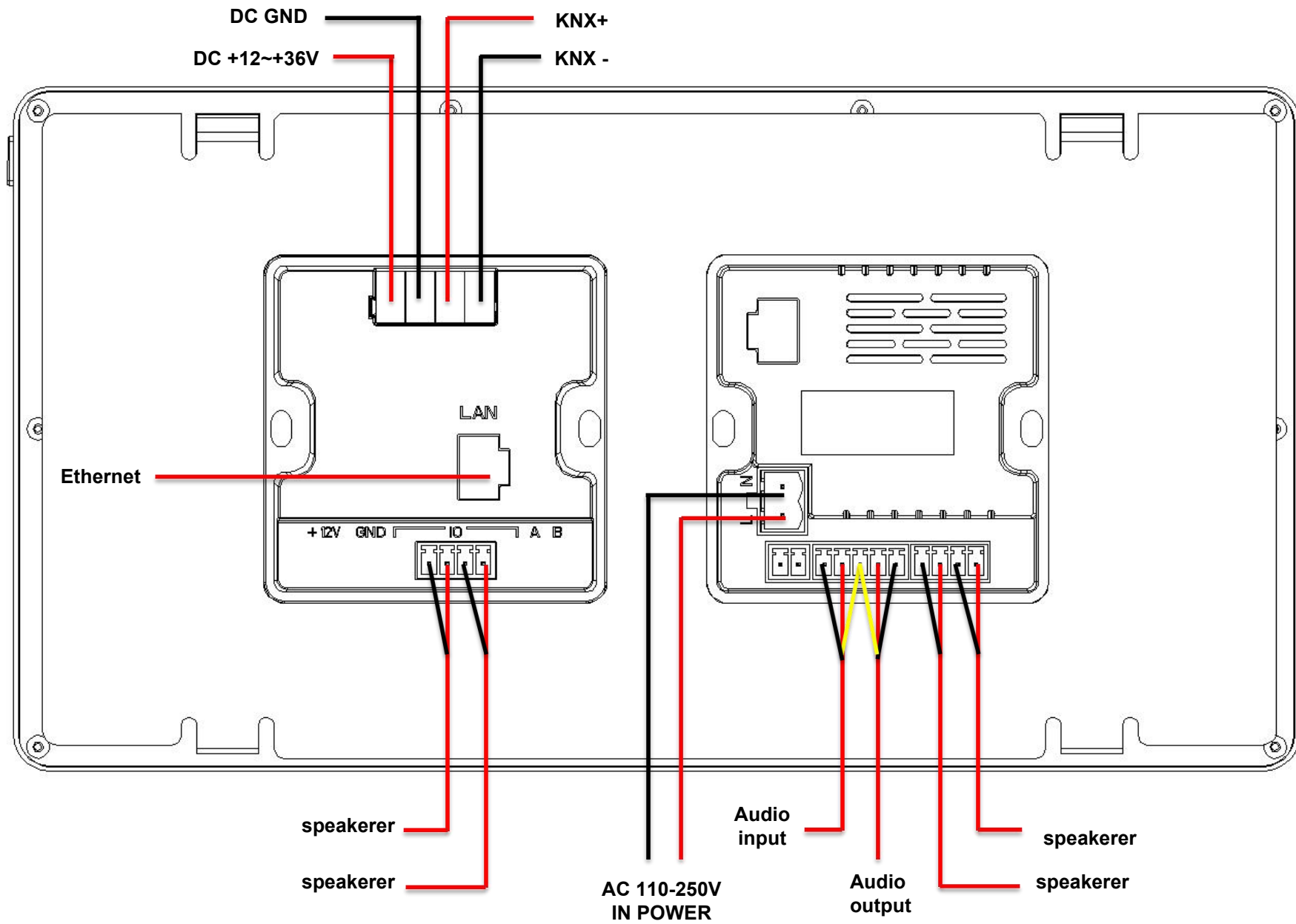


7inch 8inch 10inch 12inch Touch panel KNX+Background music wiring diagram



8inch, 10inch, 12inch

KNX+Background music wiring diagram



7" 8" 10" 12" Touch panel: KNX+8 AD zone(Dry contact input) wiring diagram

