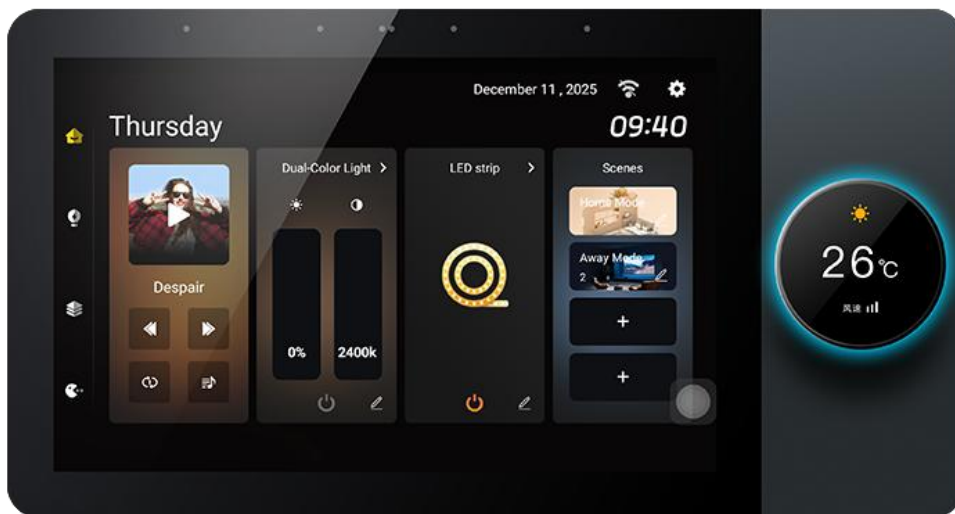




# User Manual

## KNX 8-inch touch panel

Daul Standard 86 backbox (BS)



**KNX/EIB Home and Building Control System**

# Attentions

- 1. Please keep the device away from strong magnets, heat, and moisture.**
- 2. Do not drop the device or hit it hard.**
- 3. Do not clean the device with a wet cloth or strong chemicals**
- 4. Do not disassemble the devices.**

## Table of contents

1. Overview .....	4
2. Technical Parameters .....	5
3. Dimensional drawing .....	6
4. Wiring Diagram .....	7
5. ETS Parameter Description .....	8
5.1 Lighting .....	8
5.2 Curtains .....	9
5.3 HAVC .....	9
5.4 Player .....	10
5.5 Scenario .....	11
6. Programming Mode and Data Download .....	12
6.1 Enable Programming Mode .....	12
6.2 ETS Download Data .....	14
To select " Download All " to download data, the programming mode on the central control screen must be enabled. Refer to section 6.1.12 for instructions on how to enable it .....	14
7. Installation	

# 1. Overview

The KNX series central control screen, hereinafter referred to as the central control screen, is mainly used in building control systems. It is connected to the bus via EIB terminals to control other devices on the bus.

This central control screen can control 256 lighting channels (including switches, dimming lights, color temperature adjustable lights, dual color temperature lights, and RGB lights), 32 curtain channels (including opening and closing curtains and Venetian blinds), 32 HAVC channels (including air conditioning, underfloor heating, and fresh air), 128 scene channels, can connect to 2 external speakers, and support music playback control and synchronized music playback, etc.

Physical address allocation and parameter configuration can be done through ETS software (version ETS5 or above).

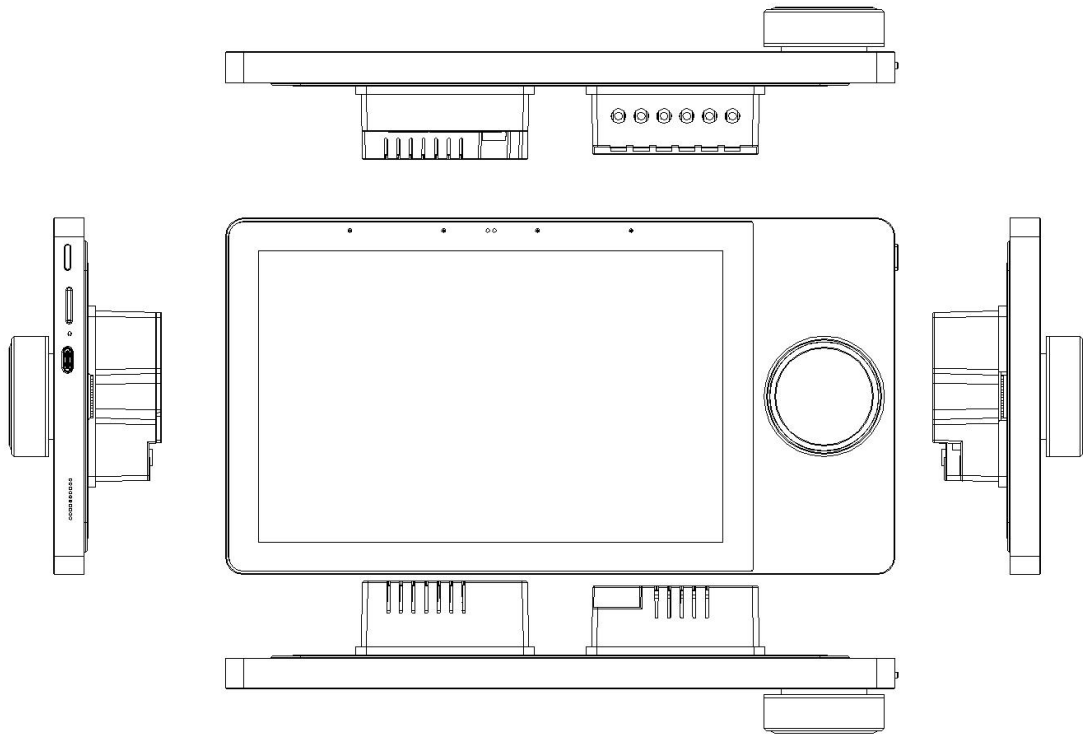
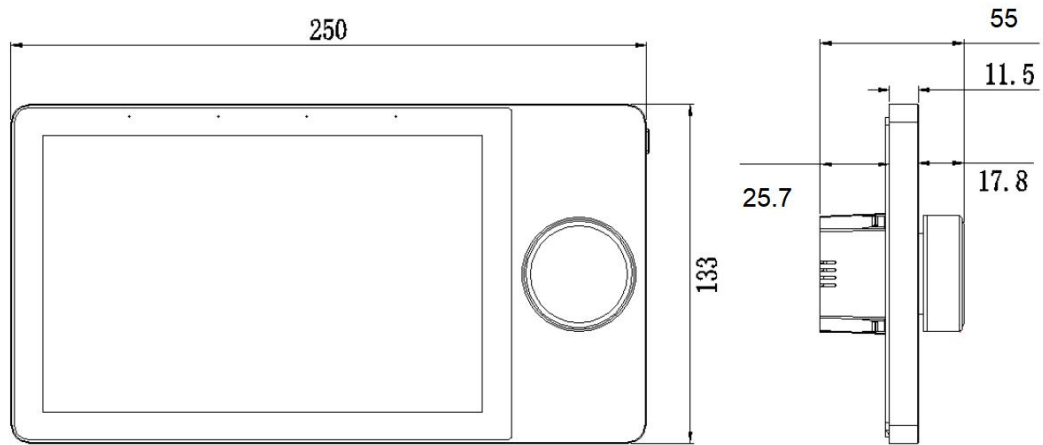
To ensure the system works properly, please check the wiring for any problems before use. This manual provides detailed technical information about the product, as well as installation, debugging, database usage, and programming details .

## 2. Technical parameters

### 8-inch KNX touch panel

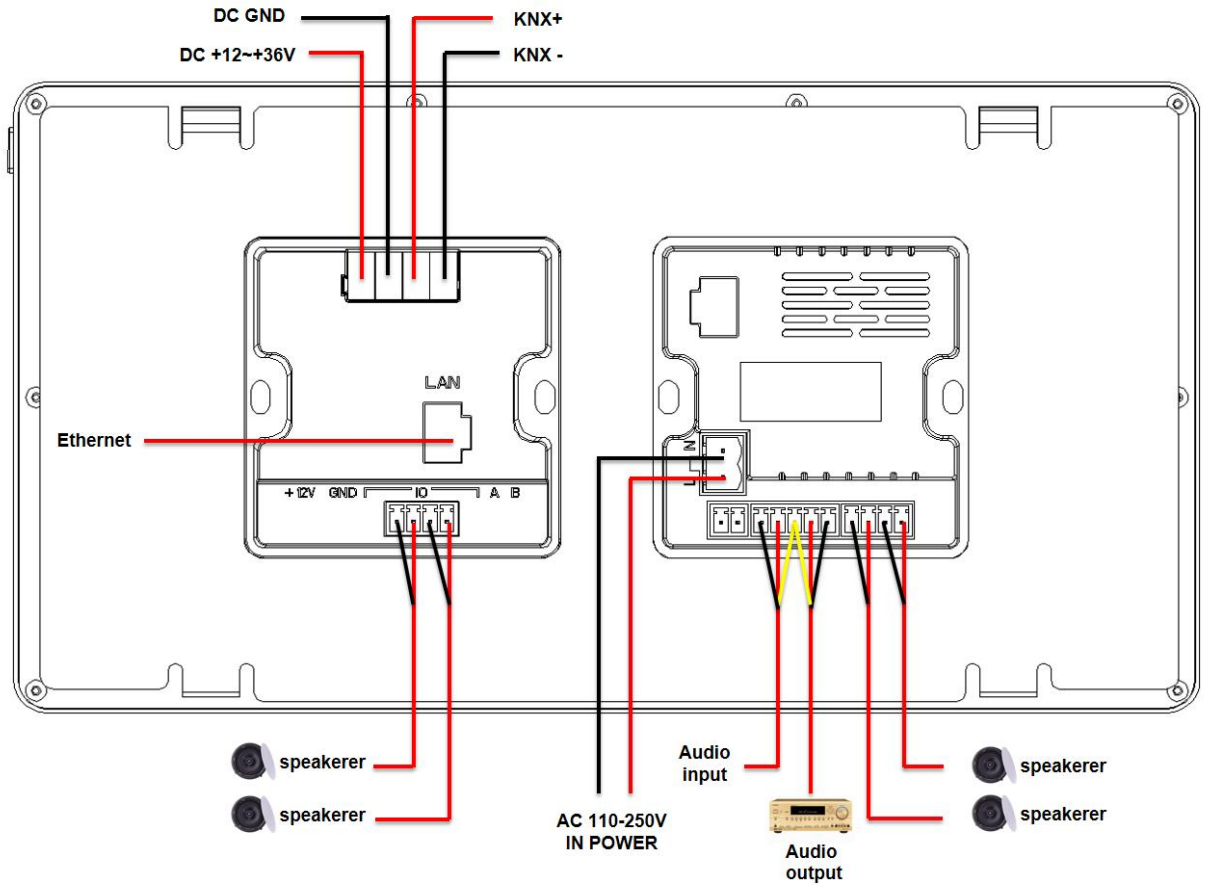
<b>System</b>	Android 8.1
<b>CPU</b>	Quad-core, Cortex 1.5GHz
<b>RAM + ROM</b>	2GB + 8GB
<b>Screen</b>	8-inch 1280*800IPS, multi-touch
<b>Rotary Knob</b>	1.28-inch knob color screen
<b>Microphone</b>	Four-microphone line array
<b>Built-in speaker</b>	1x2W
<b>Bluetooth</b>	5.0
<b>WiFi</b>	802.11b/g/n wireless protocol 150Mbps 2.4GHz
<b>Ethernet</b>	RJ45, 0M/100M adaptive Ethernet
<b>Interface</b>	USB-C, Support,MAX32G
	TF, Support,MAX 32G
	Audio Input/Audio Output
<b>ExternalSpeaker output</b>	4*(10-25W) (MAX)
<b>One 86 box Power Supply</b>	KNX Bus voltage: 24V
	Auxiliary Supply: DC 12V~36V
<b>One 86 box Power supply</b>	Auxiliary Supply: AC100~240V (DC 12V~36V is optional)
<b>Working temperature</b>	0°C ~40 °C
<b>Working humidity</b>	≤90% RH
<b>Storage temperature</b>	-20°C ~60 °C
<b>Net weight</b>	1.5KG
<b>Dimensions</b>	250 * 133 *11 without back box
<b>Installation</b>	Dual 86 back boxes ( BS), EU 60 back box for optional

### 3. Dimensions



# 4. Wiring diagram

KNX+Background music wiring diagram



# 5. ETS Parameter Description

## 5.1 Lighting

It supports a total of 256 lighting channels ( including switches, dimmer lights, color temperature adjustable lights, dual color temperature lights, and RGB lights ).

" Light " parameter interface allows you to set how many lights to activate.



" Device Type " parameter can be used to set the type of light.

Light\_Brightness: Adjusts the brightness of the light.

Light\_Color\_Temperture: Adjusts brightness and color temperature of the light.

Light\_RGB: RGB color adjustment light

Light\_RGBW:RGBW color-changing light

Light\_Switch: Normal switch

Device Type

Device Type	Light_Switch
Description (Max 30char.)	Light_Brightness Light_Color_Temperture Light_RGB Light_RGBW Light_Switch ✓

" **Description** " parameter can be used to set the name of the light.

Description (Max 30char.)	Spotlight 1
---------------------------	-------------

## 5.2 Curtains

It supports a total of 32 types of blinds (including sliding blinds and Venetian blinds).

" **Shade** " parameter interface allows you to set how many curtains to enable.

- Shade			
Shade 1	Shade 6	<input checked="" type="radio"/> Disable	<input type="radio"/> Enable
	Shade 7	<input checked="" type="radio"/> Disable	<input type="radio"/> Enable

" **Description** " parameter can be used to set the name of the curtain.

Description (Max 30char.)	Curtain
---------------------------	---------

" **Device Type** " parameter indicates the type of curtain.

Shade\_Curtain: Opening and closing curtains

Shade\_Shutter: Venetian blinds

Device Type	<input type="radio"/> Shade_Curtain <input checked="" type="radio"/> Shade_Shutter
-------------	--

## 5.3 HAVC

" **HAVC** " parameter interface allows you to set how many air conditioning units to activate.

- HVAC	HVAC 8	<input checked="" type="radio"/> Disable <input type="radio"/> Enable
+ HVAC Fast Configuration	HVAC 9	<input checked="" type="radio"/> Disable <input type="radio"/> Enable
	HVAC 10	<input checked="" type="radio"/> Disable <input type="radio"/> Enable

" **Description** " parameter can be used to set the name of the air conditioner.

Description (Max 30char.)	HAVC
---------------------------	------

" **Template for quick parameter configuration** " parameter allows you to set the template parameter type.

Template for quick parameter configuration	<input checked="" type="radio"/> Template 1 <input type="radio"/> Template 2
--	--

" **Device Type** " parameter can be used to set the air conditioner type.

"HVAC \_ Air \_ Condition" : Air Conditioning

"HVAC \_ Floor \_ Heater" : Underfloor heating

"HVAC\_Air\_Purifier " : Fresh Air System

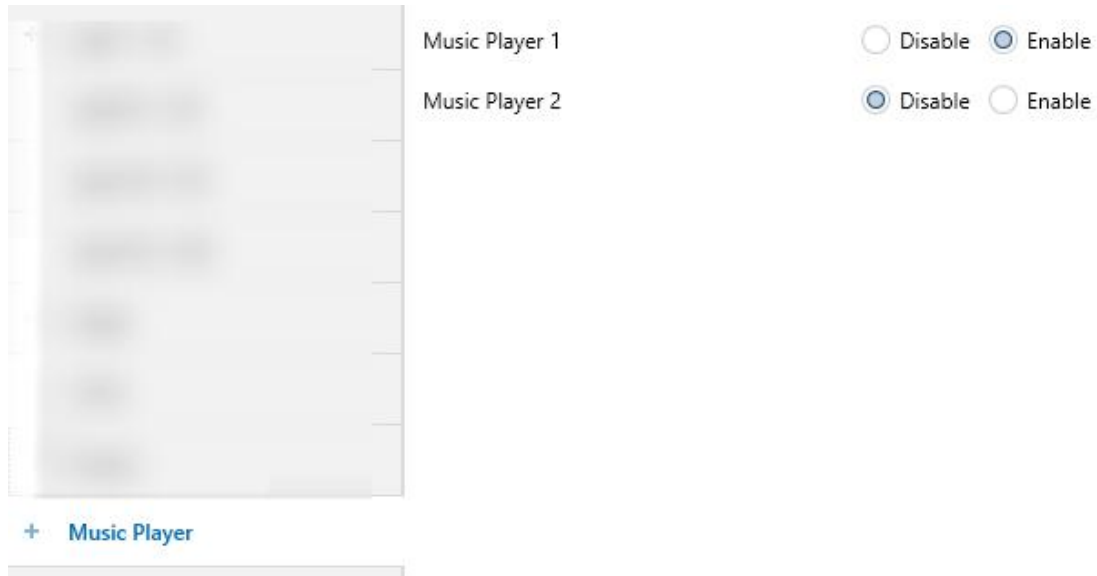
Device Type	<div style="border: 1px solid #ccc; padding: 5px;"> <div style="background-color: #e0e0e0; padding: 2px;">HVAC_Air_Condition</div> <div style="background-color: #e0e0e0; padding: 2px; border: 1px solid #000;">HVAC_Air_Condition <span style="float: right; color: green;">✓</span></div> <div style="background-color: #e0e0e0; padding: 2px;">HVAC_Floor_Heater</div> <div style="background-color: #e0e0e0; padding: 2px;">HVAC_Air_Purifier</div> </div>
-------------	---

" **Type of air condition** " parameter allows you to set whether the air conditioning type is FCU or VRF.

Type of air condition	<input type="radio"/> FCU <input checked="" type="radio"/> VRF
-----------------------	--

## 5.4 Player

" **Music Player** " parameter allows you to set how many players to enable.



" **Player Details** " screen allows you to set up linked music playback or notification messages.

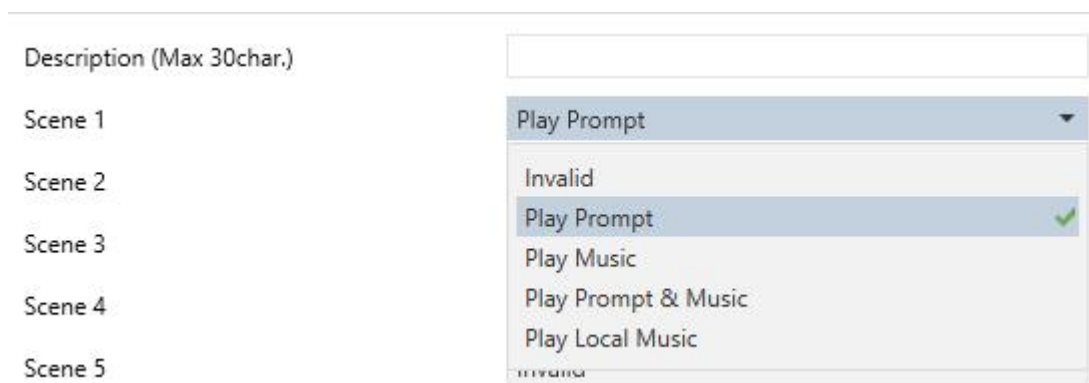
" **Invalid** " : Not enabled

" **Play Prompt** "

" **Play Music** " : Play background music

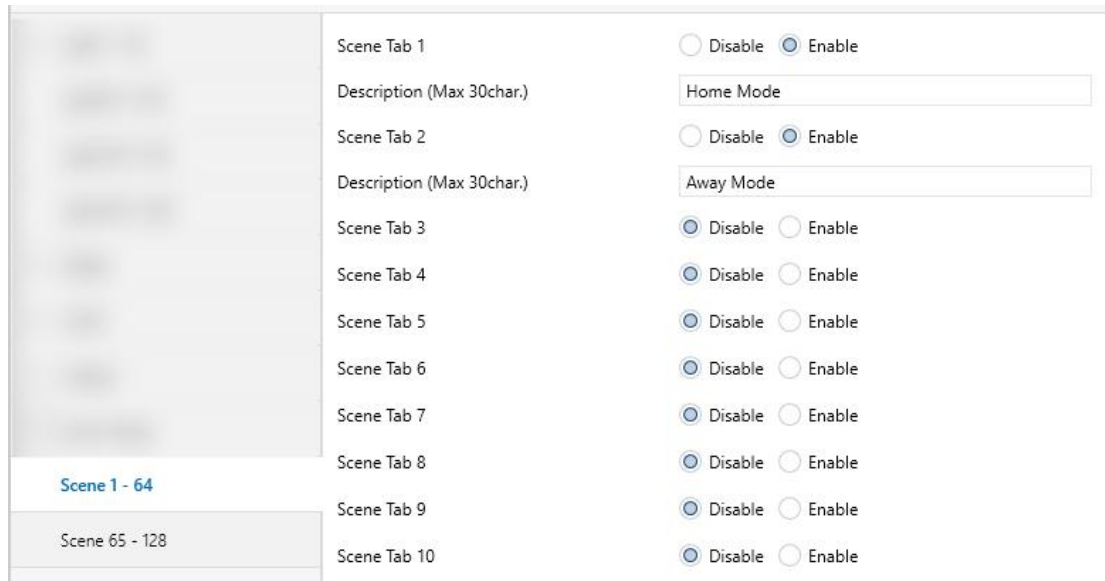
" **Play Prompt & Music** " : Plays a prompt and background music.

" **Play Local Music** " : Play local music



## 5.5 Scenario

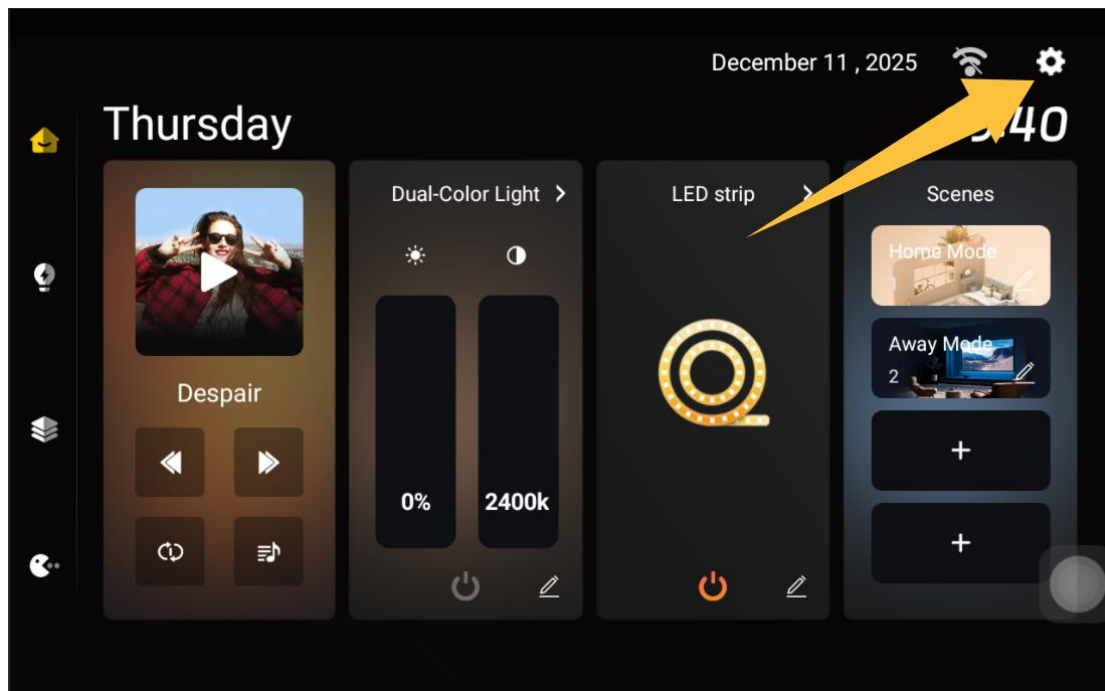
" **Scene** " parameter interface allows you to set the scene name and the number of scenes to enable.

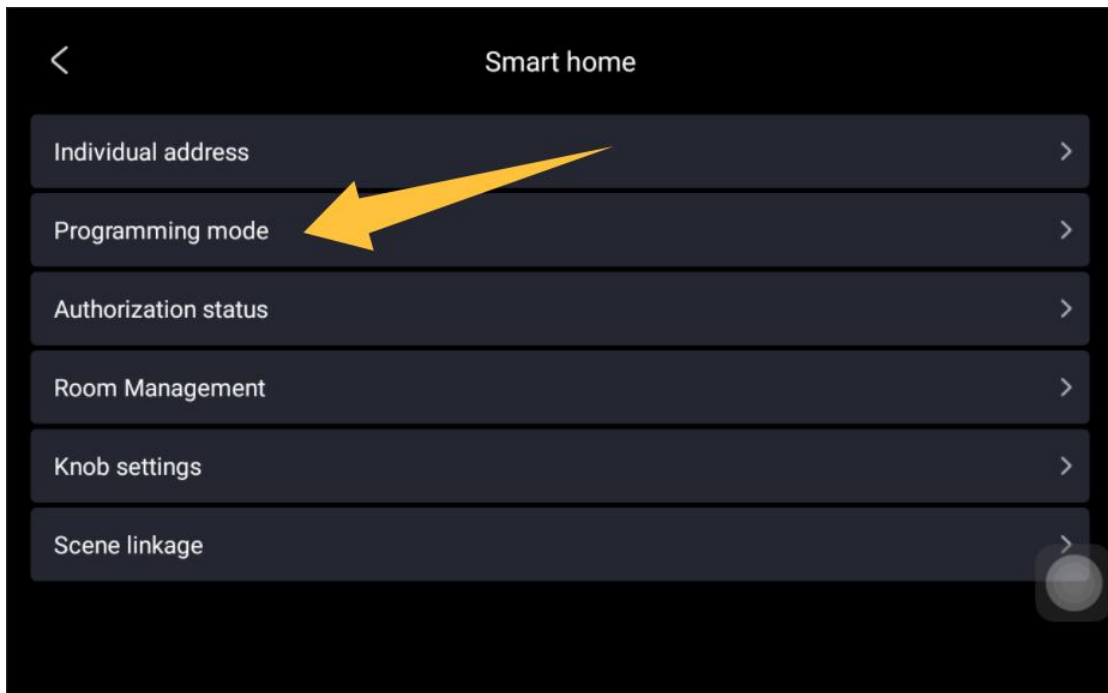
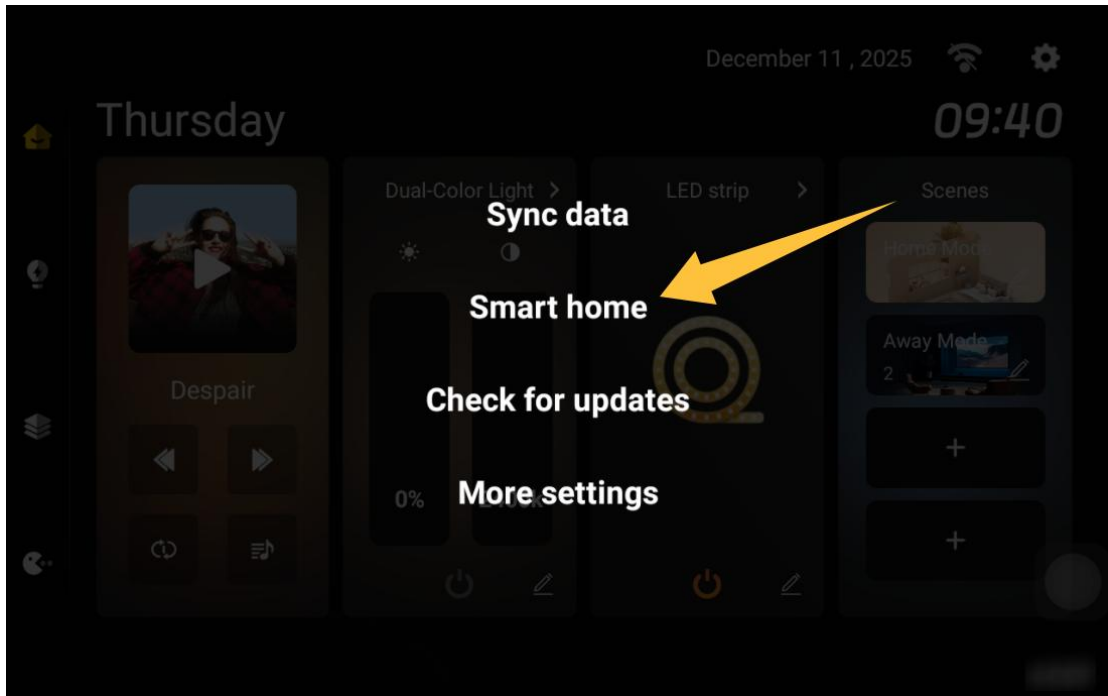


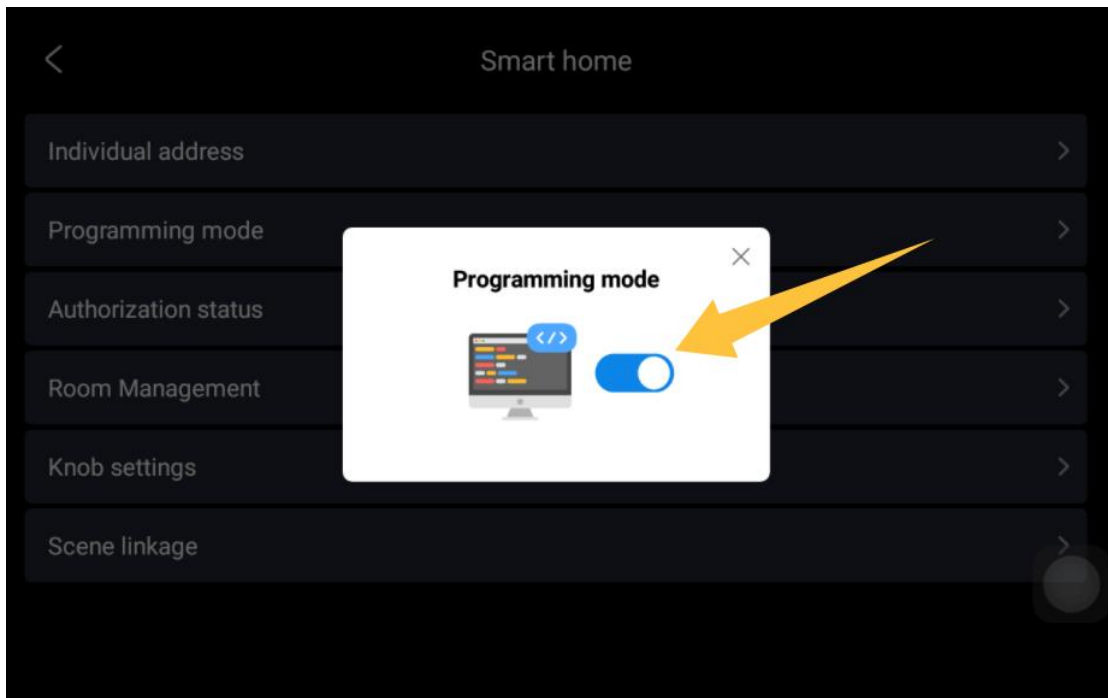
## 6. Programming Mode and Data Download

### 6.1 Enable programming mode

To download complete data via ETS, you need to first enable the programming mode on the central control screen. The method to enable it is as follows:



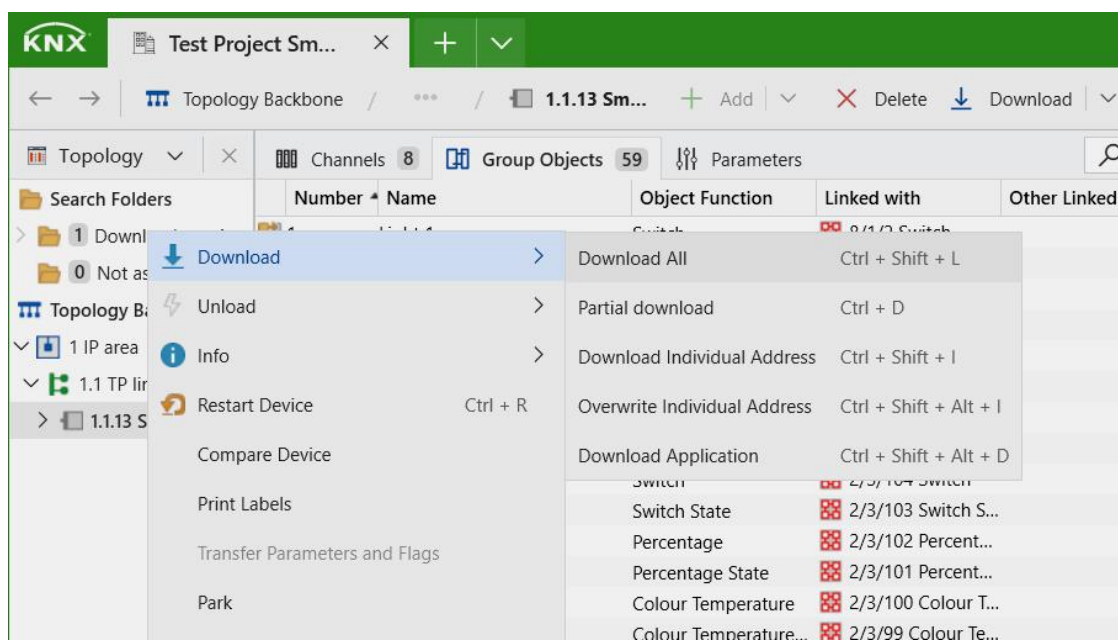


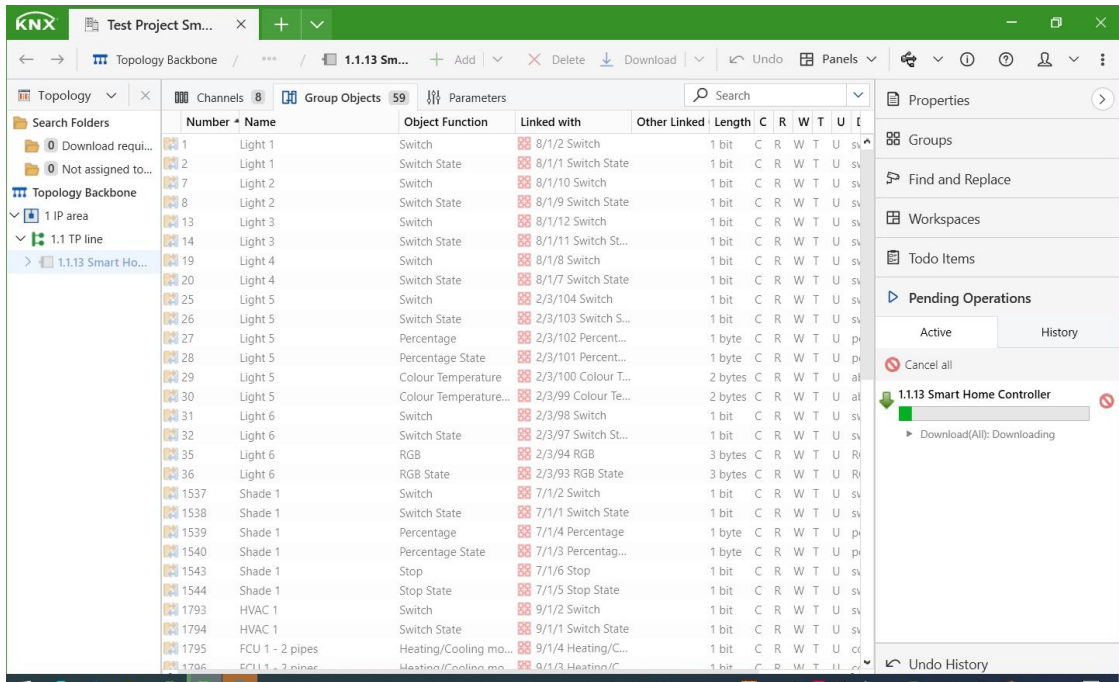


Note: Remember to turn off programming mode after the data download is complete.

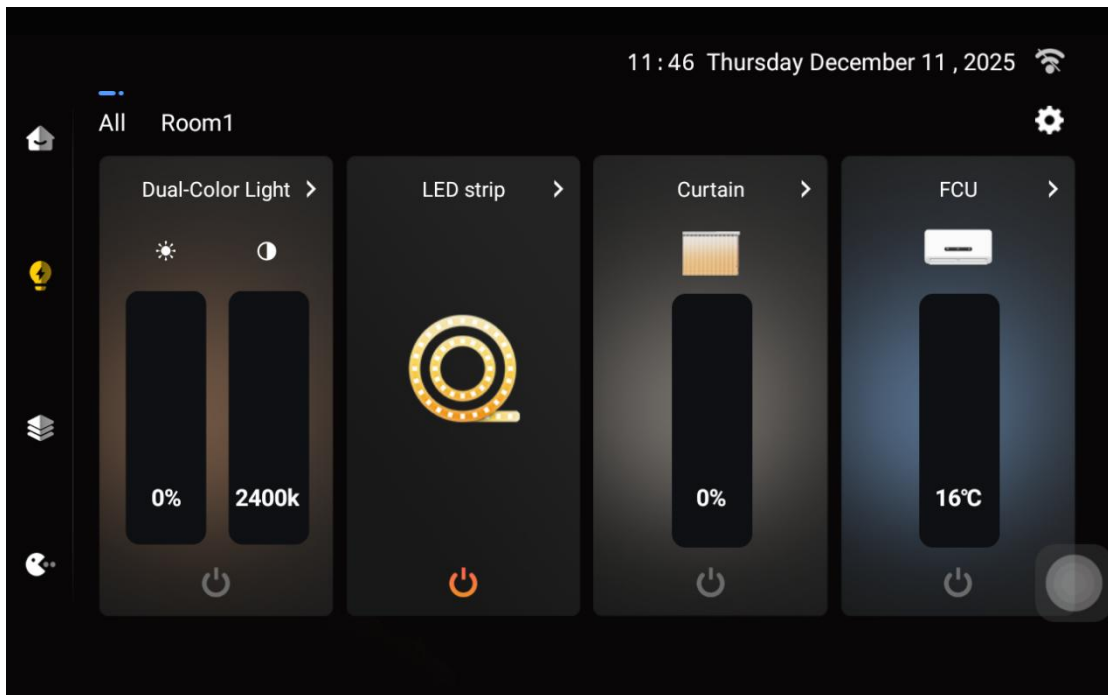
## 6.2 ETS Download Data

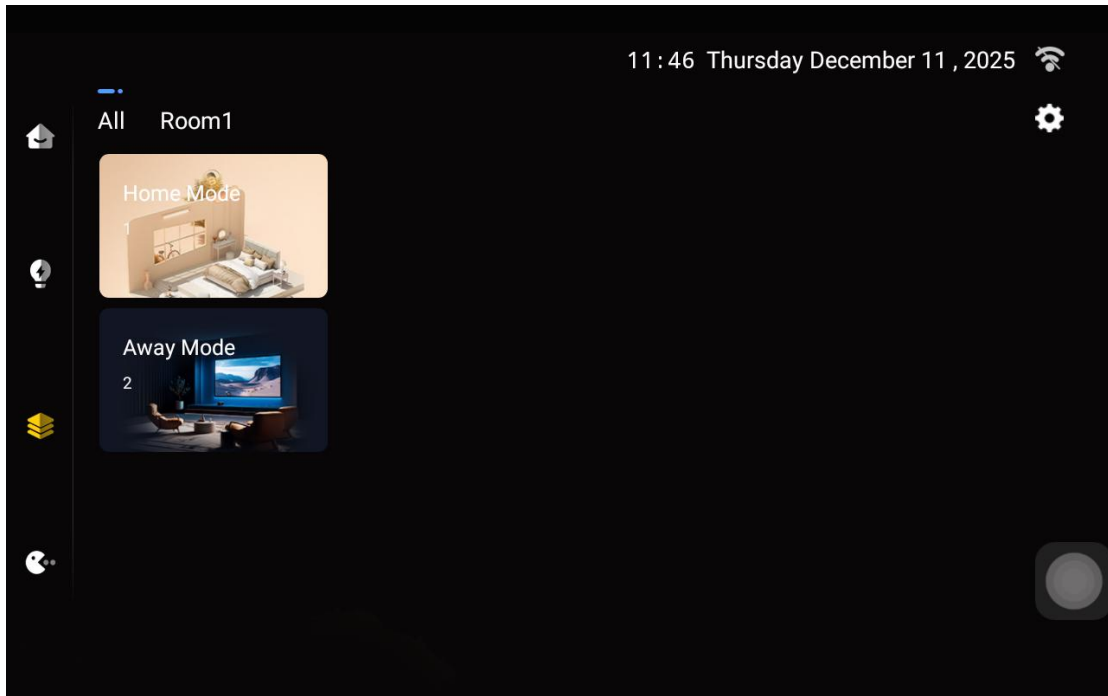
To select "Download All" to download data, you must enable the programming mode on the central control screen. Refer to section 6.1 for instructions on how to enable it.





Once the download is complete, the central control screen will refresh and display the downloaded data, which can be viewed in the device and scene interfaces.





## 7. Installation instructions

- 1、 Embedded in the provided bottom box, bottom box installation size: standard 86 box deepened;
- 2、 The wire used in this product: multi-strand copper core wire, coaxial line, audio wire, audio wire
- 3、 Please consult the supplier when installing this machine;
- 4、 Do not repair the machine without authorization, if you need to repair, please consult the supplier, by professional maintenance;

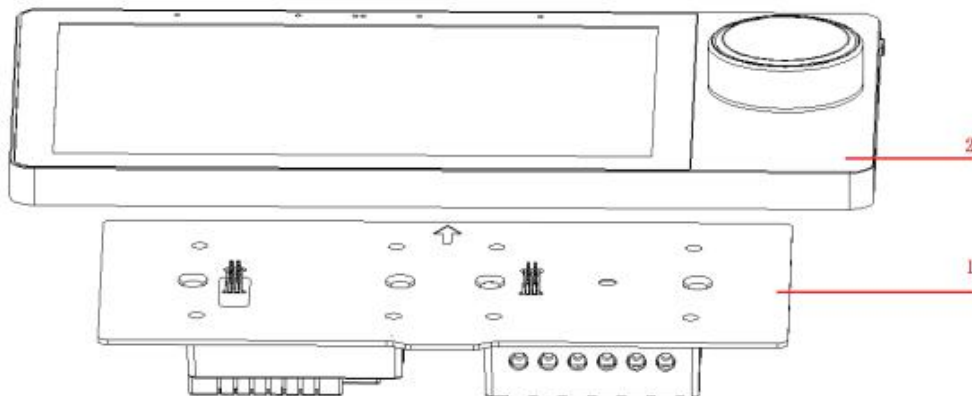
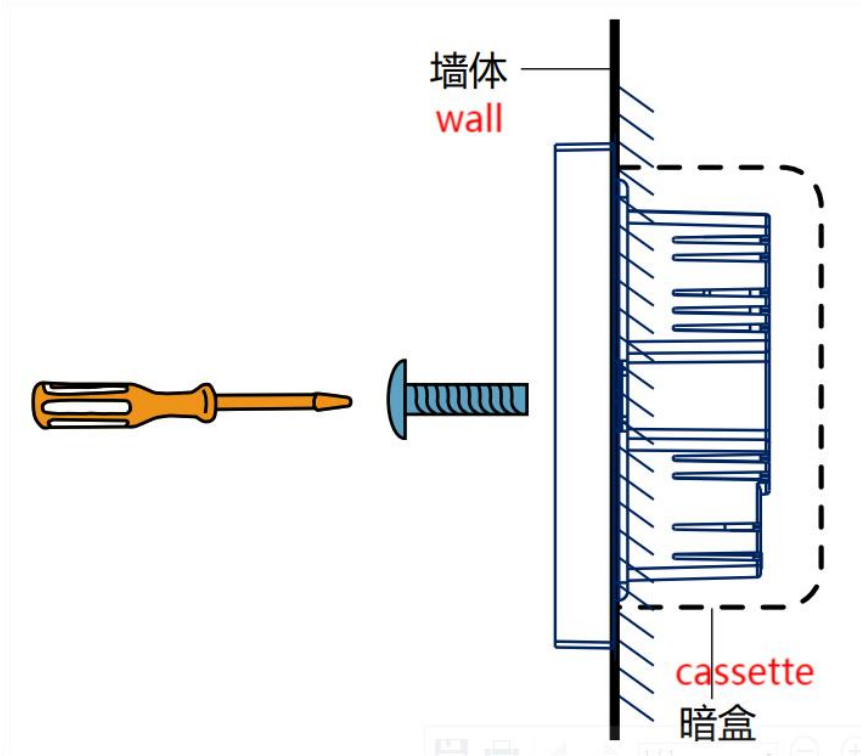


Figure 1: ① main engine ② power supply box

Assembly Installation steps:

1. Fix part 1 on the double 86 bottom shell
2. Align part 2 with the bottom shell support and press it
3. Opening size of cable box



**Suitable for JB/T 8593 standard plastic cartridges, cartridges depth  $\geq 50\text{mm}$  .**

**Product installation reference dimension diagram**

